



LG Electronics Inc.

LG Electronics Air Conditioning & Energy Solution
20 Yoido-dong, Youngdungpo-gu,
Yoido P.O.Box 355 Seoul 150-721, Korea
Phone: 82-2-3777-7613

<http://www.lgeaircon.com>

Original product development. LG reserves the right to change specifications without notice.
Electronics Inc. Printed in Korea 2011



AIR-TO-WATER HEAT PUMP
THERMAV™

IDEAL HEATING AND COOLING UNITS

Catalogue 2011



LG Electronics' **Eco-friendly** Technology

LG Electronics' environmental policy is centered on its "Life's Good When it's Green" program. The program is divided into two areas: pre-production and post-production. LG Electronics' goal is to reduce greenhouse gases in the pre- and post-production stages by 150,000 tons and 30,000,000 tons, respectively, by 2020. This reduction of greenhouse gases emitted during a product's life cycle (including raw materials used in production, product distribution, product usage, and product disposal) will be carried out in stages.





Nature.....
Human.....
Comfort.....

- ◆ THERMA V LINE UP 04
- ◆ WHAT IS THERMA V? 06
 - The Solution for New Housing and Renovation
- ◆ BENEFITS OF THERMA V 08
 - Energy Performance
 - Respecting the Environment
 - Convenient Control
 - Anti-Corrosion Gold Fin™
 - Easy Installation
 - Constant Heating - V2 Injection
- ◆ THERMA V SPLIT _ INDOOR UNIT: HYDRO KIT (1Ø, 3Ø) 14
- ◆ THERMA V SPLIT _ OUTDOOR UNIT (1Ø 230V) 16
- ◆ THERMA V SPLIT _ OUTDOOR UNIT (3Ø 400V) 18
- ◆ THERMA V V2 INJECTION 20
- ◆ THERMA V MONO _ OUTDOOR UNIT (1Ø 230V) 22
- ◆ THERMA V MONO _ OUTDOOR UNIT (3Ø 400V) 24
- ◆ THERMA V INDOOR BOX FOR 3Ø MONO 26
- ◆ THERMA V SANITARY WATER TANK 28
- ◆ FLEXIBLE APPLICATION 30



THERMA V™ LINE-UP

THERMA V Split Type (R410A) _ 1Ø 230V / 3Ø 400V

Capacity _ kW	9.0	12.0	14.0	16.0
Split (R410A)	 1Ø	 1Ø / 3Ø	 1Ø / 3Ø	 1Ø / 3Ø

THERMA V Split V2 Injection Type (R410A) _ 1Ø 230V / 3Ø 400V

Capacity _ kW	12.0	14.0
Split V2 Injection (R410A)	 1Ø / 3Ø	 1Ø / 3Ø

* Split V2 Injection available from August in the market

THERMA V MONO Type (R407C) _ 1Ø 230V / 3Ø 400V

Capacity _ kW	10.0	12.0	14.0
MONO (R407C)		 1Ø / 3Ø	

SANITARY TANK

Volume_Liter	Single Coil, 200 liter	Single Coil, 300 liter	Double Coil, 200 liter	Double Coil, 300 liter
Sanitary Water Tank				

LG Innovation Ideal Heating and Cooling Unit

THERMA V, Ideal Heating and Cooling Unit, Aiming at all-in-one Solution

Economical : According to its innovative technology and advanced performance efficiency, THERMA V offers one of the most cost-efficient and payback with any heating and cooling system in the market!

Flexible : A solution that is easy to install and does not require house renovations.

Natural : THERMA V respects the environment by using two renewable energy resources; air and sun, by reducing CO₂ emissions.

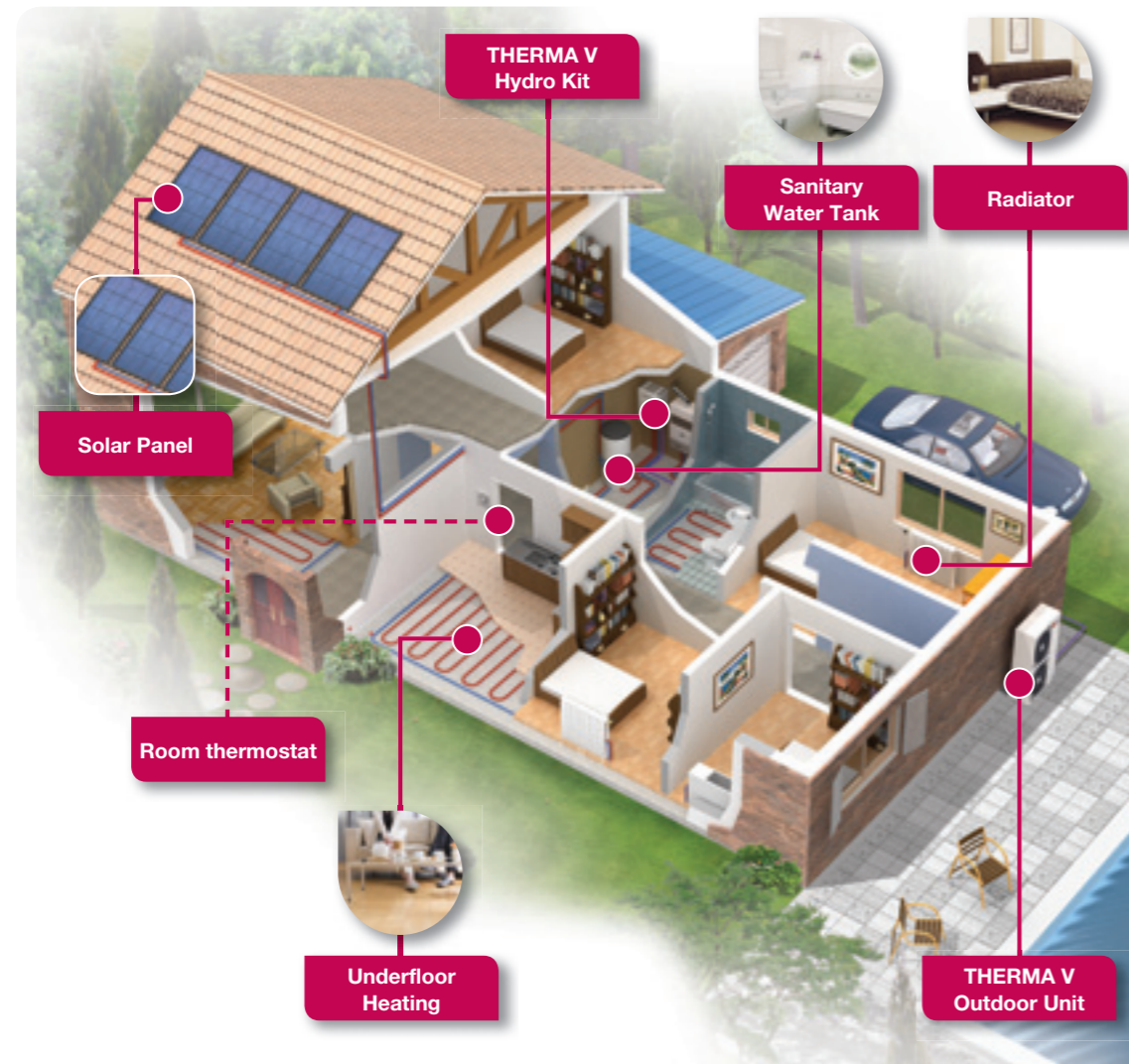
Government Subsidy : According to recent trends, the adoption of renewable energy, the heat pumps may enable consumers to obtain a government subsidy under certain conditions.



What is THERMA V?

The Solution for New Buildings and Renovation

THERMA V is specially conceived to respond to the needs of the renovation market (to relieve or replace a boiler) and the new construction market. The product adapts perfectly to individual and collective residential applications. Moreover, this Air-to-Water heat pump makes up an eco-friendly product that uses two renewable energy resources – air and sun. Finally, it proves economics with Coefficient of Performance (COP) up to 4.5, among the most advanced technologies on the market.



- Different heat transmitters :
 - > Underfloor Heating
 - > Radiators (Low Temperature Radiators)
 - > Fan Coil Units
- Optional Accessories :
 - > Sanitary Water Tank



A Natural Solution

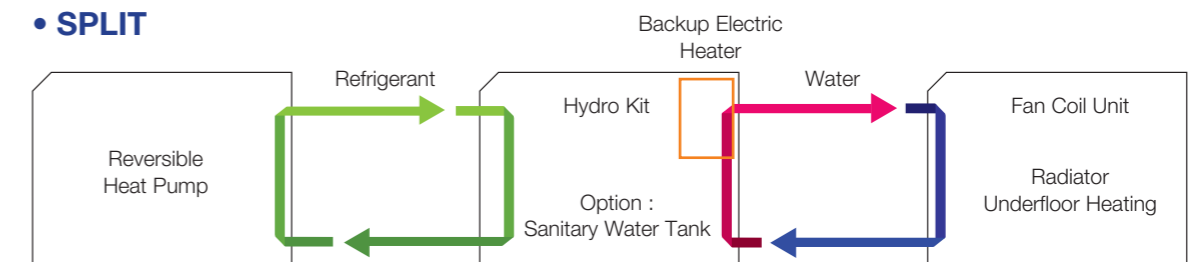
- Economical system with advanced Coefficient of Performance : COP = 4.5
- Utilization of two renewable energies: Air and sun.
- Reduced CO₂ emissions compared to gas or fuel heating.

A Flexible Solution

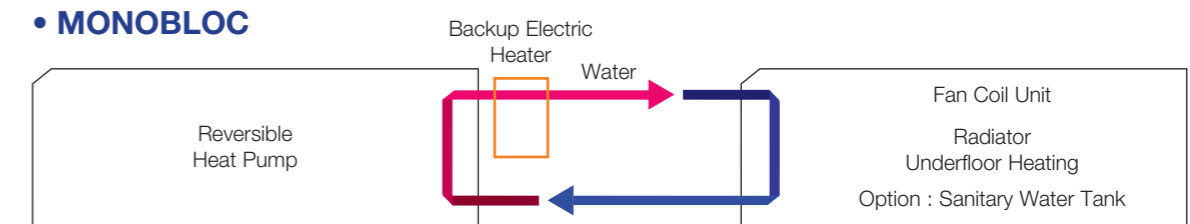
- Monovalent operation :
THERMA V is capable of responding to all of your daily comfort & energy needs. In addition, if the outdoor temperature decreases below the seasonal temperature, a backup electric heater will come to guarantee your optimal well-being.

Application : Replacing Coventional Boiler

• SPLIT



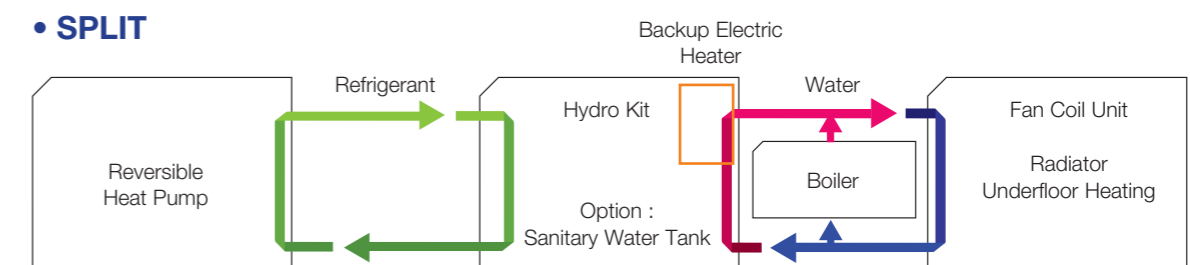
• MONOBLOC



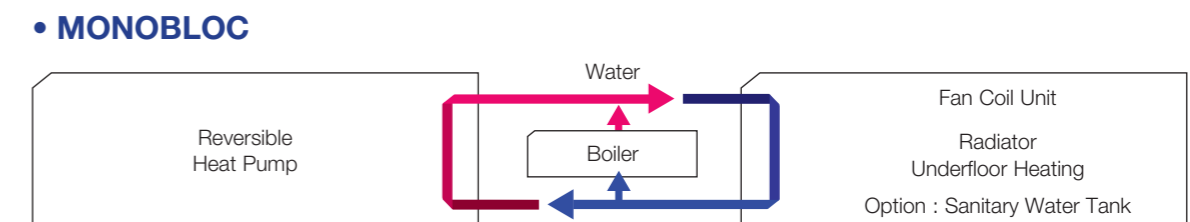
- Alternative Bivalent Operation :
THERMA V heat pump can also be integrated in the installation of existing boiler(gas or fuel). Boiler takes over space heating and sanitary hot water, in case of severe low ambient temperature.

Application : Using Existing Boiler

• SPLIT



• MONOBLOC

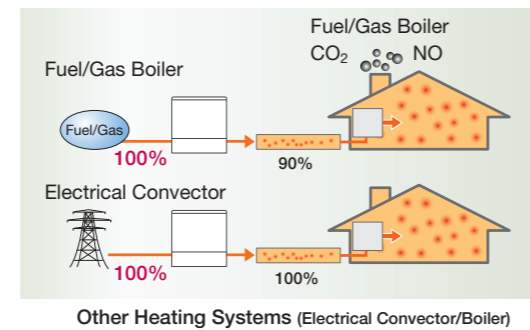
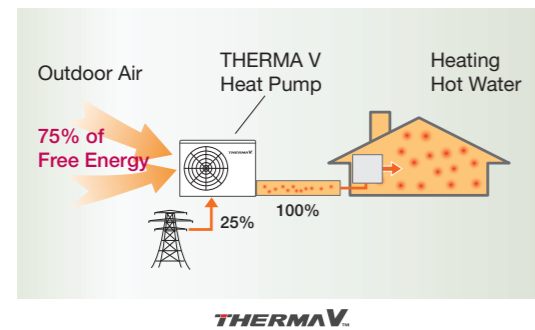
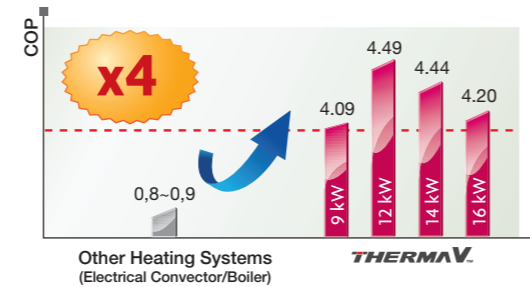


Benefits of THERMA V

Energy Performance

Advanced Coefficient of Performance (COP) for More Energy Saving

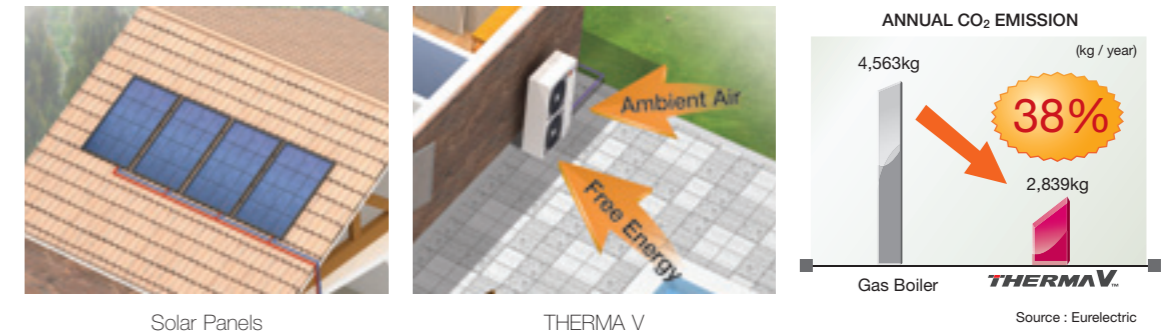
As generating energy from outdoor air even in low temperature, THERMA V makes it possible to heat efficiently. With inverter technology of LG, THERMA V can make higher efficiency level up to the range of 4.1 to 4.5. In other words, consuming 1kW of electric energy of an electrical network enables more than 4kW of heating energy.



Respecting the Environment

Reducing CO₂ Emissions

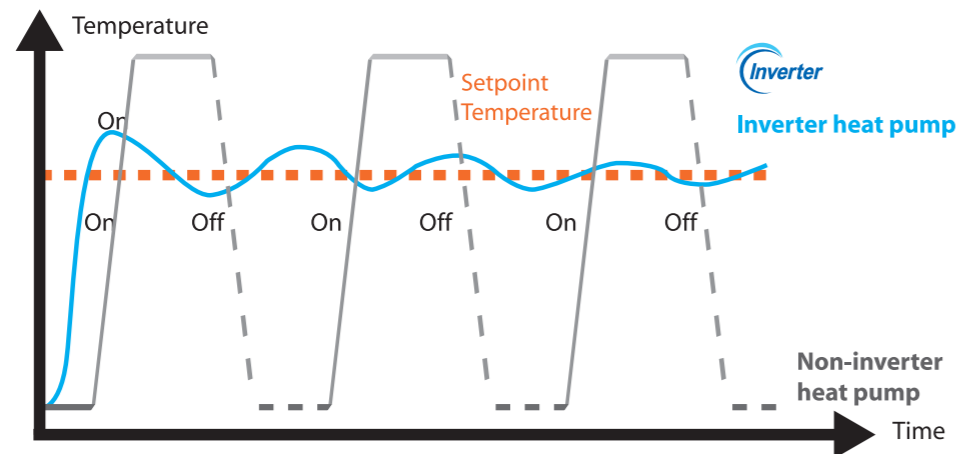
The THERMA V solution by LG adopts two renewable energies, air and sun. This eco-friendly system will decrease CO₂ emissions from heating systems on fossil energies such as gas and fuel.



Inverter regulation, for more serenity



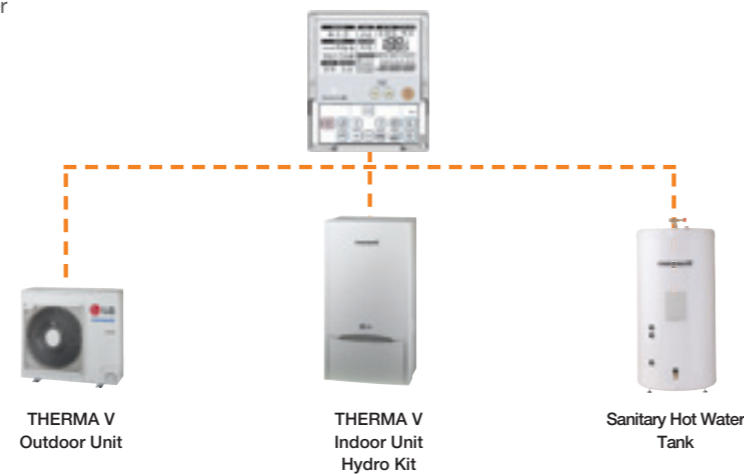
Once the desired temperature is achieved, unlike conventional air to water heat pump that turns the compressor on and off, LG inverter units adjust and constantly vary the compressor speed to maintain the desired temperature with minimal fluctuation to ensure your comfort.



Benefits of THERMA V

Convenient Control

- Control heating and sanitary hot water
 - Weekly scheduling
 - Operating modes
 - Water temperature
 - Heating emergency operation



Heating Emergency Operation

Heating is essential during winter. THERMA V is equipped with an emergency operation that allows the maintenance of heating in case of possible failure.

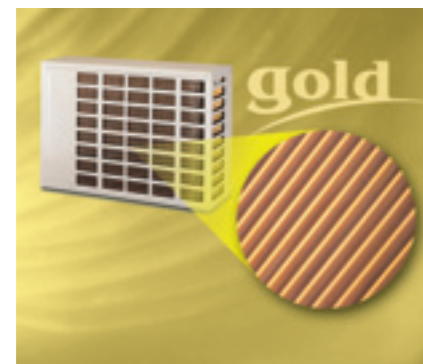
The heating security mode consist of two levels:

- Level 1 : When the indoor unit slightly malfunctions, the outdoor unit operates under a pre-defined emergency operation mode.
- Level 2 : When outdoor unit malfunctions, electronic heater of the indoor unit operates under a pre-defined emergency operation mode.

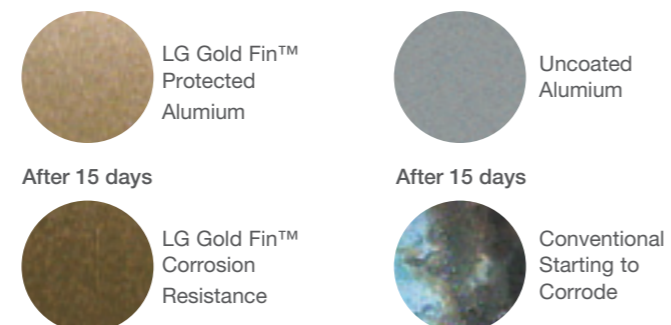


Anti-Corrosion Gold Fin™

The exchangers of our outdoor unit are treated against corrosion and pollution. This treatment guarantees the durability of the systems and high-level performance.

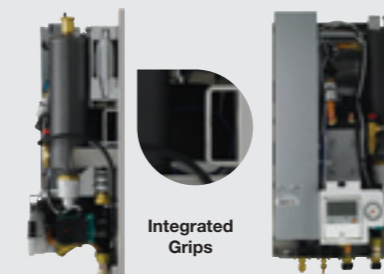


> Salt Spray Test for 15 Days



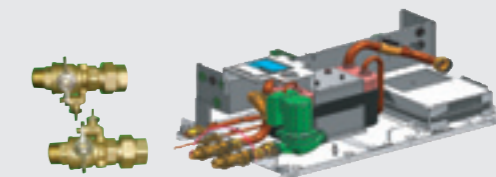
Easy Installation

Indoor Unit Hydro Kit



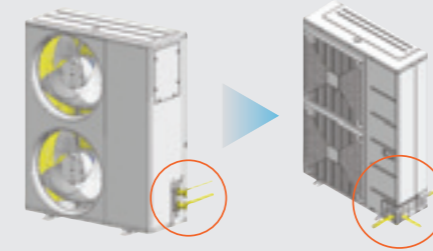
Integrated Grips

Separated Shut-off valves



Outdoor Unit

- Refrigerating connection is possible in three directions

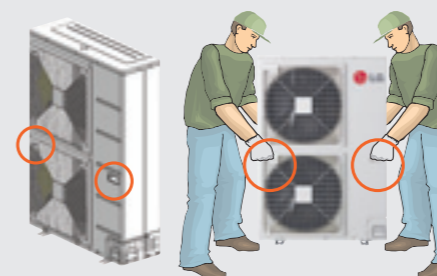


1 Direction

3 Direction

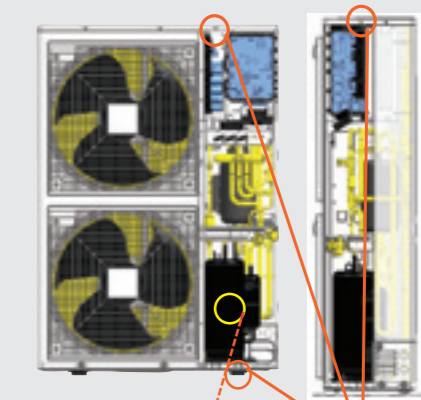
Jacking-up Grips

- Easy to carry thanks to the integrated grips



Facilitated maintenance

- Access to vital parts of the unit thanks to the new removable front panel fixed with three screws.



Easy access to
compressor

3 fixation
screws

Benefits of THERMA V

V2 Injection technology adopted by THERMA V Split offers you most comfortable atmosphere in extreme cold weather condition by providing 100% heating performance at -15°C without an auxiliary heater or boiler. Therefore, it saves users electricity cost greatly (Peak data result with heating steady-state without defrost effect at the test condition of A*/W35)

100% performance at -15°C without electric heaters

A Compelling Reason to Use LG V2 Injection

100% stable & constant heating down to -15°C (THERMA V provides 100% comfort at any condition even down to -15°C without an auxiliary heater)



75% heating performance at -20°C

Save electricity consumption and reduce electricity bill

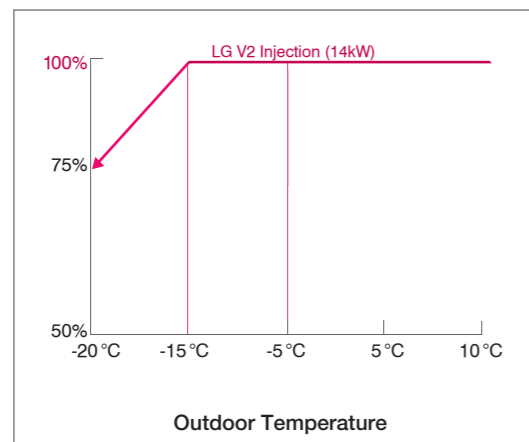
Eco-friendly

Inverter technology offers ultimate comfortable environment

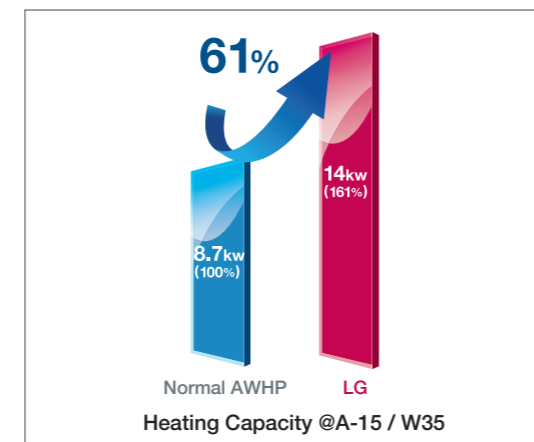
Constant Heating - V2 Injection Technology

Effects of V2 Injection technology

Expansion of THERMA V operating range



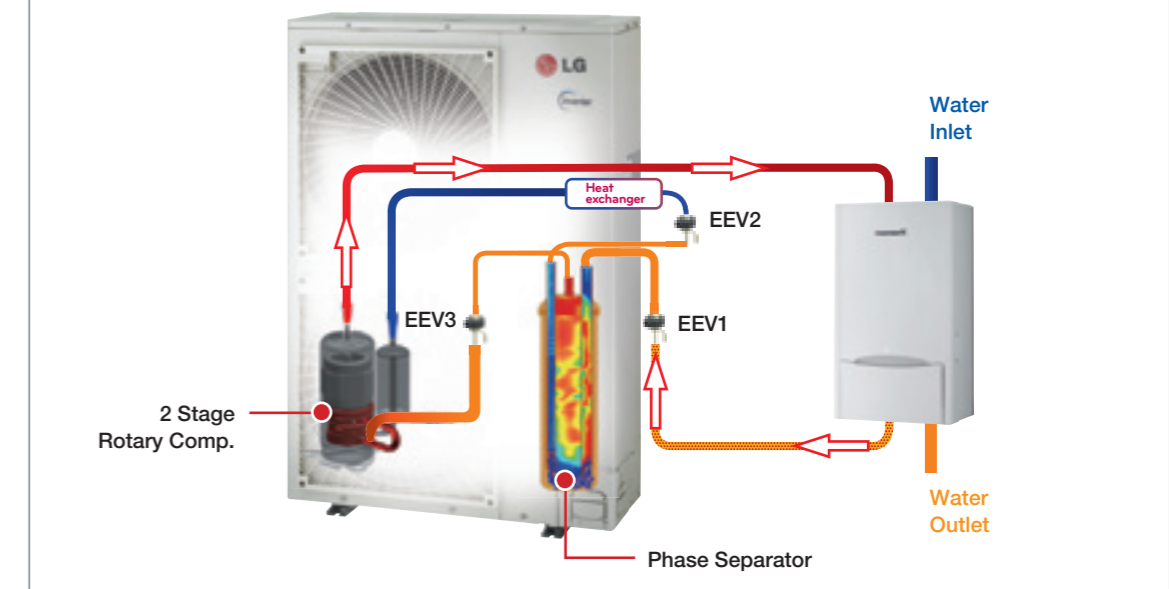
Heating capacity increase



Split V2 Injection : Logic - Functioning

Heating capacity Increase - V2 Injection Rotary compressor

Cycle Diagram



LG conducted a real field test in Norway to secure reliability at severe low temperatures.





**THERMA V
SPLIT
Indoor Unit
Hydro Kit**

Hydro Kit (1Ø, 3Ø)



THERMA V™



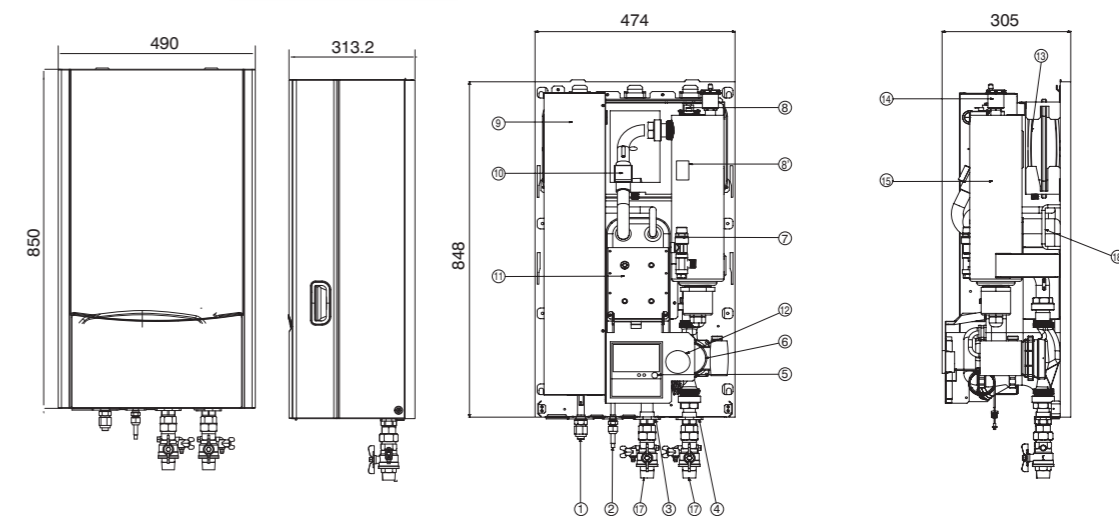
**INDOOR UNITS
HYDRO KIT**

HN0916. NK1
HN0926. NK1
HN0936. NK1
HN0914. NK1

Up to 9kW

HN1616. NK1
HN1626. NK1
HN1636. NK1
HN1629. NK1
HN1639. NK1

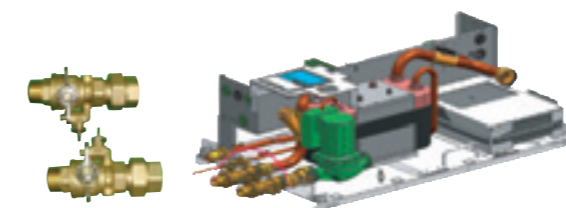
Up to 16kW



N°	ITEM
1	Refrigerating Pipe - Gas
2	Refrigerating Pipe - Liquid
3	Water Connection - Entry - 1 inch
4	Water Connection - Exit - 1 inch
5	Controller
6	Water Pump
7	Discharge Gate - Open when pressed > 3 bars
8	Thermal switch
8'	Thermal switch
9	Control Box

N°	ITEM
10	Flow Switch
11	Plate Heat Exchanger
12	Pressure Gage
13	Expansion Tank
14	Air-vent
15	Electric Heater
16	Strainer
17	Shut-off Valve
18	Carrying handle

Separated Shut-off valves



Specifications

Hydro Kit _ Indoor Unit			*HN0916. NK1	*HN0926. NK1	*HN0936. NK1	HN0914. NK1	HN1616. NK1	HN1626. NK1	HN1636. NK1	*HN1629. NK1	HN1639. NK1	
Combined Outdoor Unit			HU091.U41 - 1Ø 230V				HU121.U31 - 1Ø 230V HU141.U31 - 1Ø 230V HU161.U31 - 1Ø 230V		HUV121.U31 - 1Ø 230V HUV141.U31 - 1Ø 230V		HU123.U31 - 3Ø 400V HU143.U31 - 3Ø 400V HU163.U31 - 3Ø 400V	
Electric Heater	Power Supply	øV/Hz	1ø/220-240V/50Hz	3ø/220V/50Hz	3ø/380-415V/50Hz	1ø/220-240V/50Hz	1ø/220-240V/50Hz	3ø/220V/50Hz	3ø/380-415V/50Hz	3ø/220V/50Hz	3ø/380-415V/50Hz	
Heater	Capacity	kW	6			4	6		9			
Dimension	W*H*D	mm	490*850*313				490*850*313					
Weight		kg	52				55					
Noise Level at 1 meter		dB(A)	28				28					
Leaving Water Temperature	Heating	°C	15-55				15-55					
	Cooling	°C	6-30				6-30					
Water Pump	Max. Power Input	Watt	135				205					
	Minimum Water Flow Rate	LPM	15				15					
Max. Head		meter	6.4				7					
Expansion Tank		liter	8				8					

* Available from June of 2011

Outdoor Unit (1Ø 230V)
Maximum 55°C Leaving Water Temperature

THERMA V™

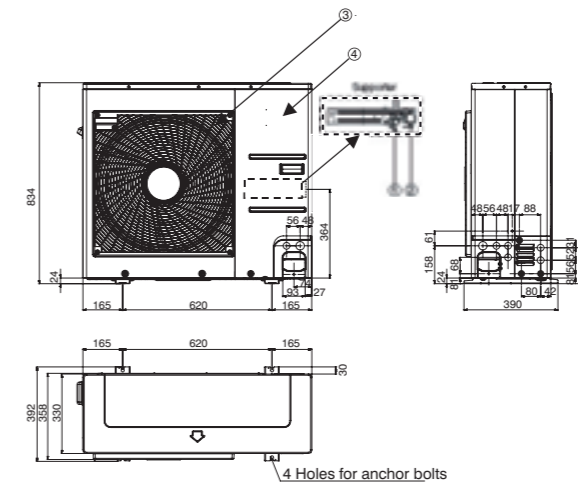


THERMA V
SPLIT_1Ø



OUTDOOR UNIT

HU091. U41 9kW



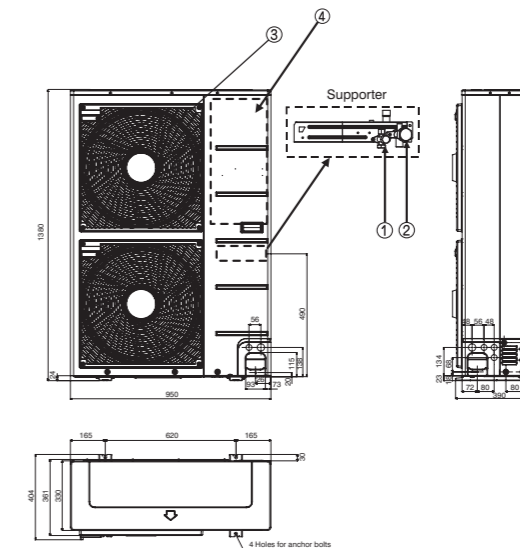
N°	ITEM
1	Liquid side service valve(mm)
2	Gas side service valve(mm)
3	Air discharge grill
4	Control Cover

OUTDOOR UNIT

HU121. U31 12kW

HU141. U31 14kW

HU161. U31 16kW



N°	ITEM
1	Liquid side service valve(mm)
2	Gas side service valve(mm)
3	Air discharge grill
4	Control Cover

Specifications

Outdoor Unit	HU091. U41	HU121. U31	HU141. U31	HU161. U31	
Combined Indoor Unit Hydro Kit	HN0916. NK1 HN0926. NK1 HN0936. NK1 HN0914. NK1		HN1616. NK1 HN1626. NK1 HN1636. NK1 HN1629. NK1 HN1639. NK1		
Power Supply	ø / V / Hz 1ø / 220-240V / 50Hz				
Nominal Capacity	Heating(A10/W35) kW	9.71	13.32	14.94	16.93
	Heating(A7/W35) kW	9	12	14	16
	Heating(A2/W35) kW	6.87	9.4	10.69	11.9
	Heating(A-7/W35) kW	8.61	11.48	13.11	14.8
Nominal Input	Cooling(A35/W18) kW	9.00	14.00	14.00	14.00
	Heating(A10/W35) kW	2.2	2.99	3.39	3.87
	Heating(A7/W35) kW	2.2	2.67	3.15	3.81
	Heating(A2/W35) kW	2.07	2.8	3.22	3.62
COP	Heating(A-7/W35) kW	3.19	4.16	4.85	5.61
	Cooling(A35/W18) kW	2.65	4.40	4.40	4.40
	Heating(A10/W35) W/W	4.41	4.45	4.41	4.37
	Heating(A7/W35) W/W	4.09	4.49	4.44	4.20
EER	Heating(A2/W35) W/W	3.32	3.36	3.32	3.29
	Heating(A-7/W35) W/W	2.70	2.76	2.70	2.64
Sound pressure level	Cooling(A35/W18) W/W	3.40	3.18	3.18	3.18
	Heating dBA	52			53
	Cooling dBA	52			54
Dimension W*H*D	950*834*330		950*1,380*330		
Weight	64 kg		105 kg		
Refrigerant (R410A)	Pre-charged amount	1,900 g		2,980 g	
	Pipe Diameter(Liquid/Gas)	inch 3/8, 5/8			

Outdoor Unit (3Ø 400V)
Maximum 55°C Leaving Water Temperature

THERMA V™

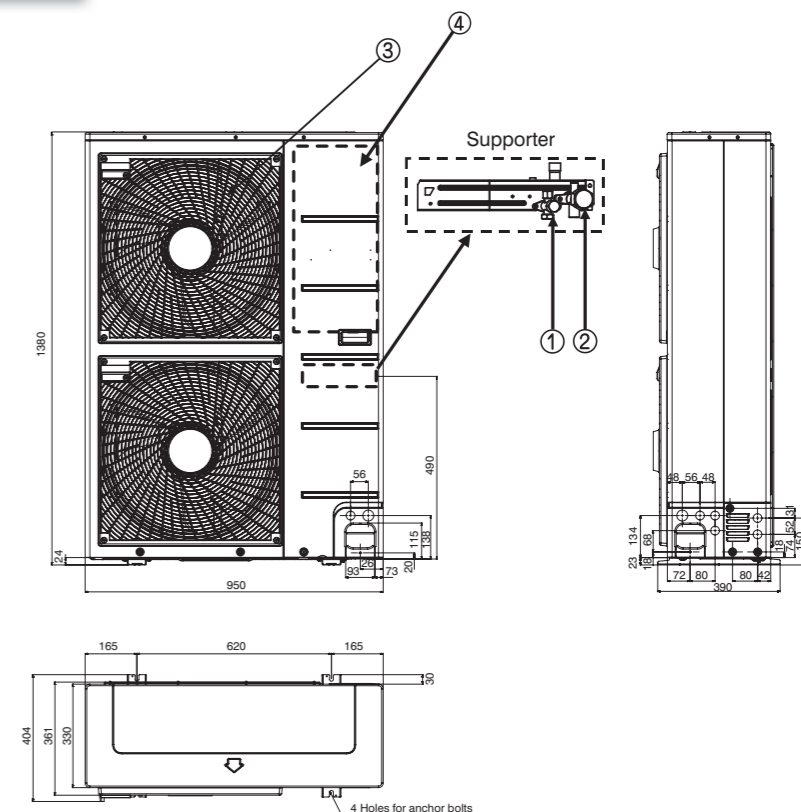


THERMA V
SPLIT _ 3Ø



OUTDOOR UNIT

HU123. U31	12kW
HU143. U31	14kW
HU163. U31	16kW



N°	ITEM
1	Liquid side service valve(mm)
2	Gas side service valve(mm)
3	Air discharge grill
4	Control Cover

Specifications

Outdoor Unit	HU123. U31	HU143. U31	HU163. U31	
Combined Indoor Unit Hydro Kit	HN1616. NK1 HN1626. NK1 HN1636. NK1 HN1629. NK1 HN1639. NK1			
Power Supply	3Ø / 380-415V / 50Hz			
Nominal Capacity	Heating(A10/W35) kW	13.25	15.06	17.34
	Heating(A7/W35) kW	12	14	16
	Heating(A2/W35) kW	9.46	10.89	12.22
	Heating(A-7/W35) kW	11.66	12.72	14.92
	Cooling(A35/W18) kW	14.60	15.50	16.80
Nominal Input	Heating(A10/W35) kW	3.02	3.49	4.1
	Heating(A7/W35) kW	2.72	3.24	3.81
	Heating(A2/W35) kW	2.83	3.28	3.82
	Heating(A-7/W35) kW	4.31	4.98	5.95
	Cooling(A35/W18) kW	4.02	4.65	5.09
COP	Heating(A10/W35) W/W	4.39	4.32	4.23
	Heating(A7/W35) W/W	4.41	4.32	4.20
	Heating(A2/W35) W/W	3.34	3.32	3.20
	Heating(A-7/W35) W/W	2.71	2.55	2.51
	EER	Cooling(A35/W18) W/W	3.63	3.33
Sound pressure level	Heating dBA	53		
	Cooling dBA	54		
Dimension W*H*D	950*1,380*330			
Weight	105 kg			
Refrigerant (R410A)	Pre-charged amount g	2,980		
	Pipe Diameter(Liquid/Gas) inch	3/8, 5/8		

Outdoor Unit (1Ø 230V)
Maximum 55°C Leaving Water Temperature

THERMA V™



**THERMA V
V2 Injection
1Ø, 3Ø**



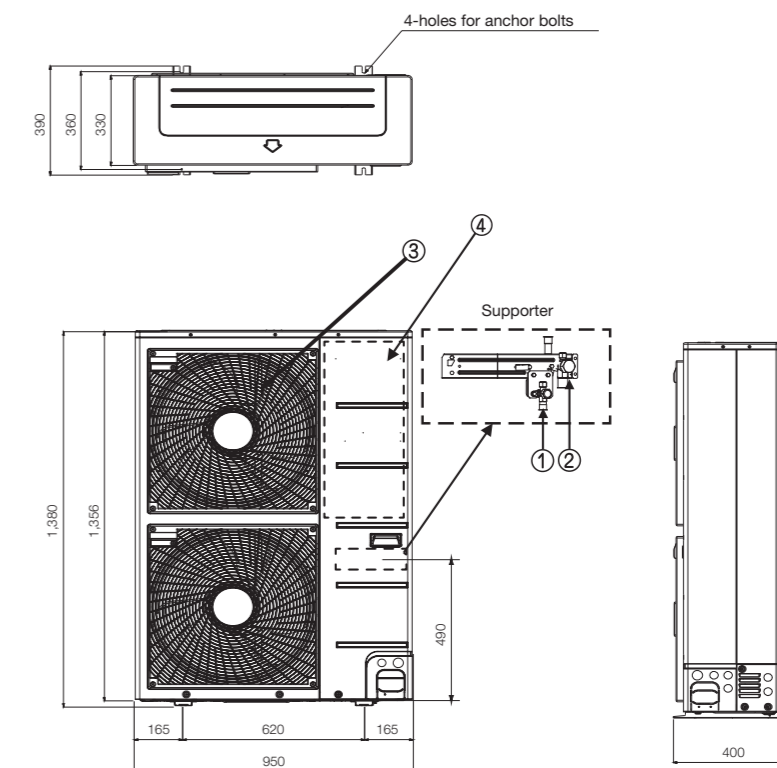
OUTDOOR UNIT

HUV121. U31	12kW
HUV141. U31	14kW
HUV123. U31	12kW
HUV143. U31	14kW

Specifications

Outdoor Unit		HUV121. U31	HUV141. U31	HUV123. U31	HUV143. U31	
Combined Indoor Unit Hydro Kit		HN1616.NK1 HN1626.NK1 HN1636.NK1 HN1629.NK1 HN1639.NK1				
Power Supply	ø / V / Hz	1ø / 220-240V / 50Hz		3ø / 380-415V / 50Hz		
Nominal Capacity	Heating(A10/W35)	kW	13.10	14.69	13.10	14.69
	Heating(A7/W35)	kW	12.00	14.00	12.00	14.00
	Heating(A2/W35)	kW	9.85	11.05	9.85	11.05
	Heating(A-2/W35)	kW	12.11	13.58	12.11	13.58
	Cooling(A35/W18)	kW	12.00	14.00	12.00	14.00
Nominal Input	Heating(A10/W35)	kW	3.05	3.34	3.05	3.34
	Heating(A7/W35)	kW	2.82	3.32	2.82	3.32
	Heating(A2/W35)	kW	3.14	3.44	3.14	3.44
	Heating(A-2/W35)	kW	5.16	5.71	5.16	5.71
	Cooling(A35/W18)	kW	3.33	3.88	3.33	3.88
COP	Heating(A10/W35)	W/W	4.30	4.40	4.30	4.40
	Heating(A7/W35)	W/W	4.26	4.22	4.26	4.22
	Heating(A2/W35)	W/W	3.14	3.21	3.14	3.21
	Heating(A-2/W35)	W/W	2.35	2.38	2.35	2.38
	EER	Cooling(A35/W18)	W/W	3.60	3.61	3.60
Peak Data at A-15/W35 (*)	Heating Capacity	kW	12.28	13.78	12.28	13.78
	COP	W/W	2.32	2.35	2.32	2.35
Sound pressure level	Heating	dB(A)	54			
	Cooling	dB(A)	53			
Dimension	W*H*D	mm				950*1,380*330
Weight(Net)		kg				105
Refrigerant (R410A)	Pre-charged amount	g				3,400
	Pipe Diameter(Liquid/Gas)	inch				(3/8)/(5/8)

* Available from August
(*) : Heating steady-state performance without defrost effect



N°	ITEM
1	Liquid side service valve(mm)
2	Gas side service valve(mm)
3	Air discharge grill
4	Control Cover

Outdoor Unit (1Ø 230V)
Maximum 55°C Leaving Water Temperature

THERMA V™

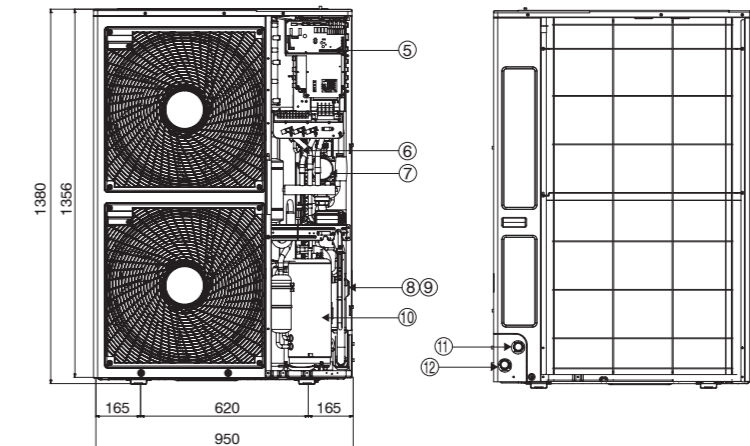
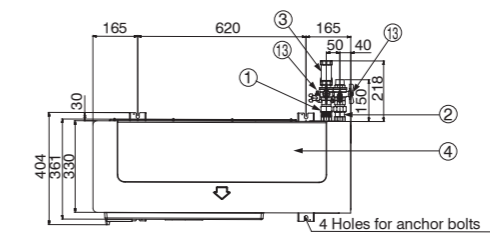


THERMA V
MONO_1Ø



OUTDOOR UNIT

HM091M. U31	9kW
HM121M. U31	12kW
HM141M. U31	14kW



N°	ITEM
1	Energy Water Pipe
2	Leaving Water Pipe
3	Strainer
4	Top Cover
5	Control Box
6	Plate Heat Exchanger
7	Water Pump
8	Pressure Gage
9	Safety Valve
10	Compressor

Specifications

Outdoor Unit			HM091M. U31	HM121M. U31	HM141M. U31
Power Supply	ø / V / Hz		1Ø / 220-240V / 50Hz		
Nominal Capacity	Heating(A10/W35)	kW	10.58	12.7	14.68
Capacity	Heating(A7/W35)	kW	10	12	14
	Heating(A2/W35)	kW	5.67	6.83	8.57
	Heating(A-7/W35)	kW	7.40	9.0	11.05
	Cooling(A35/W18)	kW	10.00	12.00	14.00
Nominal Input	Heating(A10/W35)	kW	2.39	2.91	3.43
	Heating(A7/W35)	kW	2.35	2.86	3.38
	Heating(A2/W35)	kW	2.19	2.57	2.99
	Heating(A-7/W35)	kW	3.02	3.62	4.23
	Cooling(A35/W18)	kW	2.74	3.33	4.01
COP	Heating(A10/W35)	W/W	4.43	4.36	4.28
	Heating(A7/W35)	W/W	4.26	4.20	4.14
	Heating(A2/W35)	W/W	2.59	2.66	2.87
	Heating(A-7/W35)	W/W	2.45	2.49	2.61
EER	Cooling(A35/W18)	W/W	3.65	3.60	3.49
Sound pressure level	Heating	dBA	53	53	54
	Cooling	dBA	53	53	54
Dimension	W*H*D	mm	950*1,380*330		
Weight		kg	131		
Refrigerant(R407C)	Pre-charged amount	g	3,550		
Leaving Water Temperature	Heating	°C	20-65		
	Cooling	°C	6-25		
Water Pump	Maximum Power Input	W	205		
	Maximum Head	m	7		
	Minimum Water Flow Rate	LPM	12		

Outdoor Unit (3ø 400V)
Maximum 55°C Leaving Water Temperature

THERMA V™

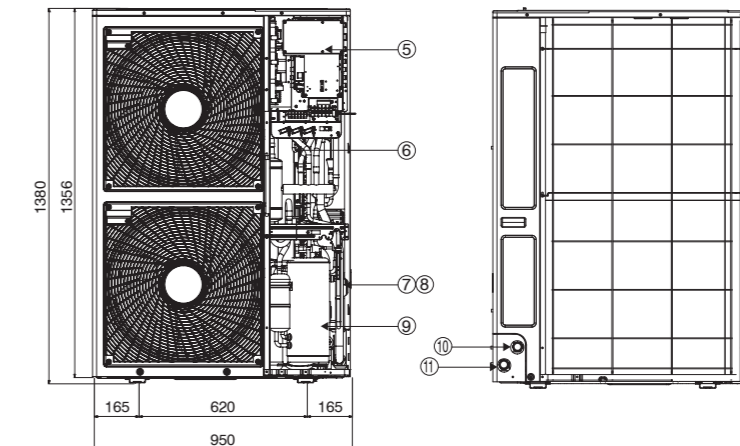
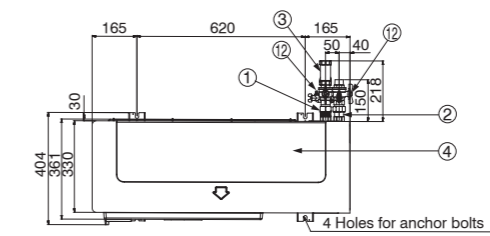


THERMA V
MONO_3ø



OUTDOOR UNIT

HM103M. U31	10kW
HM123M. U31	12kW
HM143M. U31	14kW



N°	ITEM
1	Energy Water Pipe
2	Leaving Water Pipe
3	Strainer
4	Top Cover
5	Control Box
6	Plate Heat Exchanger
7	Pressure Gauge
8	Safety Valve
9	Compressor

Specifications

Outdoor Unit			HM103M. U31	HM123M. U31	HM143M. U31
Power Supply	ø / V / Hz		3ø / 380-415V / 50Hz		
Nominal Capacity	Heating(A10/W35)	kW	10.79	12.70	14.81
	Heating(A7/W35)	kW	10.00	12.00	14.00
Nominal Input	Heating(A2/W35)	kW	7.36	8.04	8.45
	Heating(A-7/W35)	kW	9.29	10.83	11.65
COP	Heating(A10/W35)	W/W	2.45	2.90	3.40
	Heating(A7/W35)	W/W	2.35	2.86	3.38
	Heating(A2/W35)	W/W	2.59	2.83	3.06
	Heating(A-7/W35)	W/W	3.37	4.01	4.42
Sound pressure level	Heating(A10/W35)	W/W	4.40	4.38	4.36
	Heating(A7/W35)	W/W	4.26	4.20	4.14
	Heating(A2/W35)	W/W	2.84	2.84	2.76
	Heating(A-7/W35)	W/W	2.76	2.70	2.64
Sound pressure level	Heating	dBA	53	53	53
Dimension	W*H*D		950*1,380*330		
Weight	kg		128		
Refrigerant(R407C)	g		3,550		
Leaving Water Temperature	Heating	°C	20-65		

AN INDOOR BOX FOR MONOBLOC 3Ø

THERMA V Indoor Box



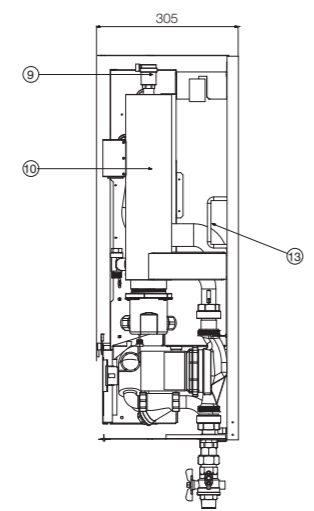
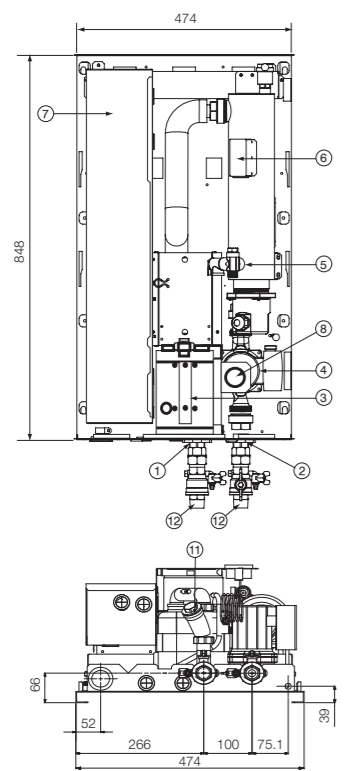
The indoor box contains an electric backup heater and a water pump.

The traditional MONOBLOC includes an electric back-up heater and a water pump in the outside unit. LG's '3-phase' MONOBLOC puts the water pump in the indoor box so that it keeps the water pump from being frozen as it is installed inside the building separately. It also generates additional heat energy with an electric back-up heater.

Specifications

Outdoor Unit			CHN1426. NK1	CHN1436. NK1	CHN1429. NK1	CHN1439. NK1
Electric Heater	Power Supply	øV/Hz	3ø / 220V / 50Hz	3ø / 380-415V / 50Hz	3ø / 220V / 50Hz	3ø / 380-415V / 50Hz
	Capacity	Kw	6	6	9	9
Water Pump	Maximum Power Input	W	205	205	205	205
	Maximum Head	m	7	7	7	7
	Minimum Water Flow Rate(LPM)		15	15	15	15
Dimension	W*H*D	mm	490*850*315	490*850*315	490*850*315	490*850*315
Weight		kg	38	38	38	38
Water Connections	Entry / Leaving	mm	25 / 25	25 / 25	25 / 25	25 / 25
Safety Valve	Relief Pressure	Bar	3	3	3	3

INDOOR BOX



N°	ITEM
1	Energy Water Pipe
2	Leaving Water Pipe
3	Control Panel
4	Water Pump
5	Safety Valve
6	Thermal Switch
7	Control Box
8	Pressure Gage
9	Air Vent
10	Electronic Heater
11	Strainer
12	Shut-off Valve
13	Carrying Handle



AIR-TO-WATER HEAT PUMP
THERMA V™
MULTI-SERIAL HEATING MACHINE



THERMA V Sanitary Water Tank



THERMA V™

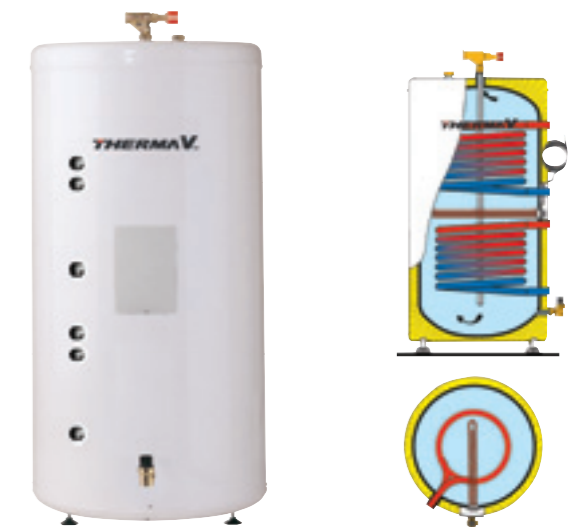
SANITARY WATER TANK – SINGLE COIL

LGRTV200E	198 LITERS
LGRTV300E	287 LITERS



SANITARY WATER TANK – DOUBLE COIL

LGRTV200VE	198 LITERS
LGRTV300VE	287 LITERS



SOLAR PANELS FOR DOUBLE COIL TANK

For better performance and energy saving, it is possible to combine the THERMA V heat pump with solar panels.



SANITARY WATER TANK – SINGLE COIL

SANITARY WATER TANK		LGRTV200E	LGRTV300E
GENERAL CHARACTERISTICS			
Water Volume	L	198	287
Diameter	mm	580	580
Height	mm	1230	1680
Empty Weight	kg	45	59
Tank – Materials		Stainless steel	Stainless steel
Outer Skin – Materials		Paint Epoxy	Paint Epoxy
Color – White RAL		White NC	White NC
CHARACTERISTICS OF ELECTRICAL BACK-UP			
Additional Electric Heater	kW	3	3
Adjustable Thermostat	°C	60 – 90	60 – 90
CHARACTERISTICS OF EXCHANGER			
Exchanger Type		Single	Single
Material Exchanger		LDX 2101 – Stainless steel	LDX 2101 – Stainless steel
Maximum Water Temperature	°C	80	80
HYDRAULIC CONNECTIONS – HEAT PUMP			
THERMA V Entry	mm	25	25
THERMA V Exit	mm	25	25
HYDRAULIC CONNECTIONS – SANITARY WATER			
City Water Entry	mm	22	22
Hot water Exit	mm	22	22
ELECTRIC CONNECTION			
Supply	ø/V/Hz	1ø/220-240V 50Hz	1ø/220-240V 50Hz
MANDATORY OPTIONAL ACCESSORIES			
Sanitary Tank Installation Kit		PHLTA	PHLTA

SANITARY WATER TANK – DOUBLE COIL

SANITARY WATER TANK		LGRTV200VE	LGRTV300VE
GENERAL CHARACTERISTICS			
Water Volume	L	198	287
Diameter	mm	580	580
Height	mm	1230	1680
Empty Weight	kg	50	64
Tank – Materials		Stainless steel	Stainless steel
Outer Skin – Materials		Paint Epoxy	Paint Epoxy
Color – White RAL		White NC	White NC
CHARACTERISTICS OF ELECTRICAL BACK-UP			
Additional Electric Heater	kW	3	3
Adjustable Thermostat	°C	60 – 90	60 – 90
CHARACTERISTICS OF EXCHANGER			
Exchanger Type		Double	Double
Material Exchanger		LDX 2101 – Stainless steel	LDX 2101 – Stainless steel
Maximum Water Temperature	°C	80 (With an Heat Pump)	80 (With an Heat Pump)
HYDRAULIC CONNECTIONS – HEAT PUMP			
THERMA V Entry	mm	25	25
THERMA V Exit	mm	25	25
HYDRAULIC CONNECTIONS – SANITARY WATER			
City Water Entry	mm	22	22
Hot water Exit	mm	22	22
ELECTRIC CONNECTION			
Supply	ø/V/Hz	1ø/220-240V 50Hz	1ø/220-240V 50Hz
MANDATORY OPTIONAL ACCESSORIES			
Sanitary Tank Installation Kit		PHLTA	PHLTA

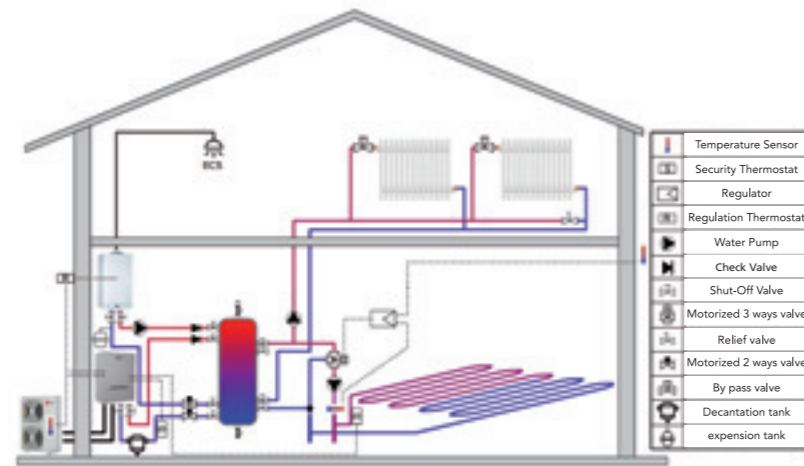
Flexible Application for New Buildings

Application 1

> Monovalent operation mode

> Functions :

- Underfloor Heating
- Low Temperature Radiators
- Sanitary Hot Water: Heat pump + Additional Electric Tank

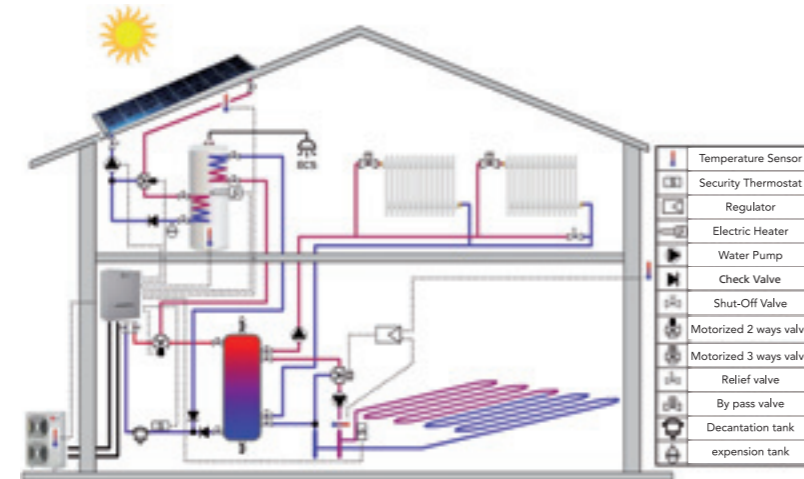


Application 2

> Monovalent operation mode

> Functions :

- Underfloor Heating
- Low Temperature Radiators
- Sanitary Hot Water: Heat pump + Additional Electric Tank + Solar Panels



Warning :

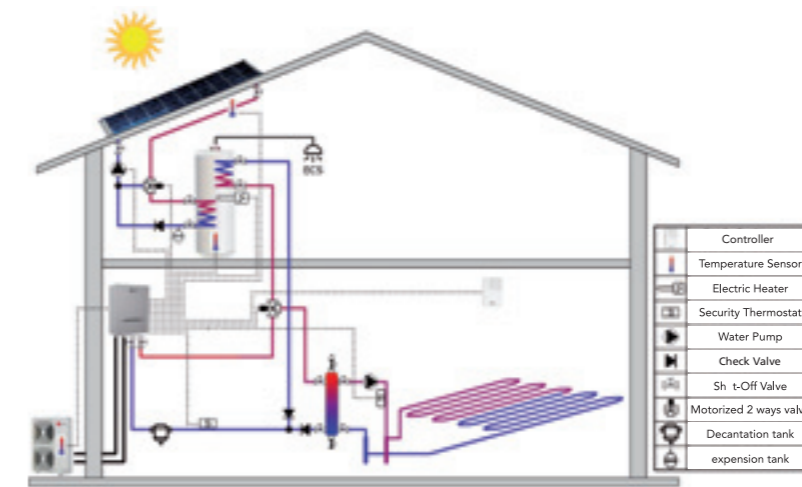
The recommended installation schemes are provided as a rough guide and are not a substitute for any centric heating design. LG is not responsible for damage resulting from not following this warning.

Application 3

> Monovalent operation mode

> Functions :

- Underfloor Heating

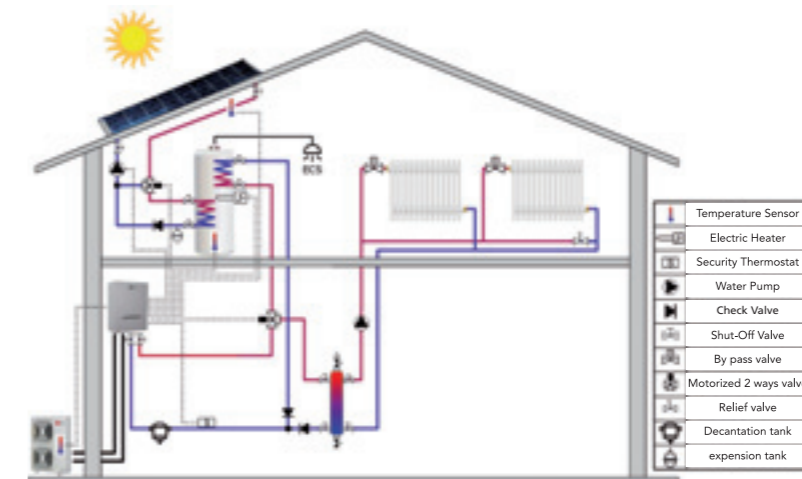


Application 4

> Monovalent operation mode

> Functions :

- Low Temperature Radiators



Warning :

The recommended installation schemes are provided as a rough guide and are not a substitute for any centric heating design. LG is not responsible for damage resulting from not following this warning.